

What colour is the live wire?

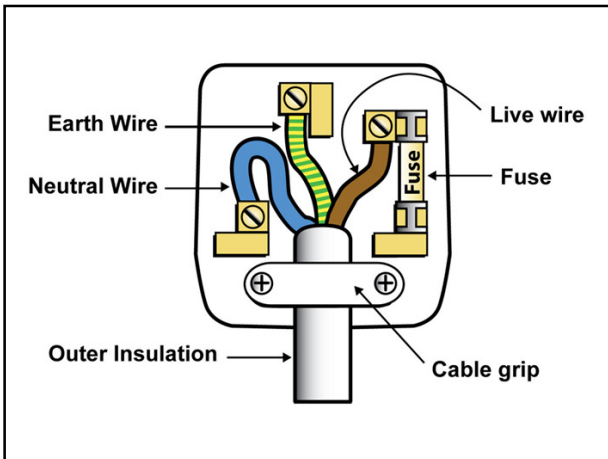
- A. Green
- B. Yellow
- C. Green and Yellow
- D. Brown

Earth: Green and Yellow

Neutral: Blue

Live: Brown

But how do we remember where these wires go in a plug?

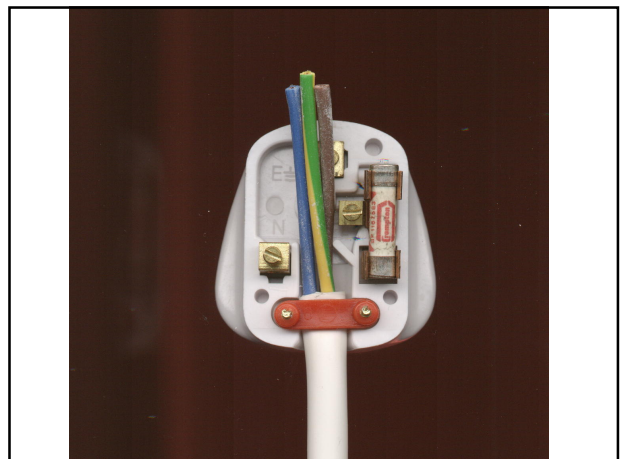


Take the plug apart using a screwdriver



Hold the wire up to the plug, ensuring that the wire reaches the furthest terminal (the earth).

Mark a line with a pen.





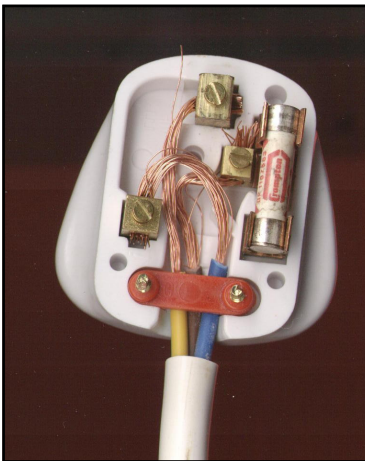
You will see that the wires need trimming (or they will be too long).

Using a pen, mark the correct length for the wires.

Cut them to the correct length.

Trim each of the 3 wires using wire cutters.

Screw the metal ends of each wire into the relevant terminal.



What is wrong with this?